

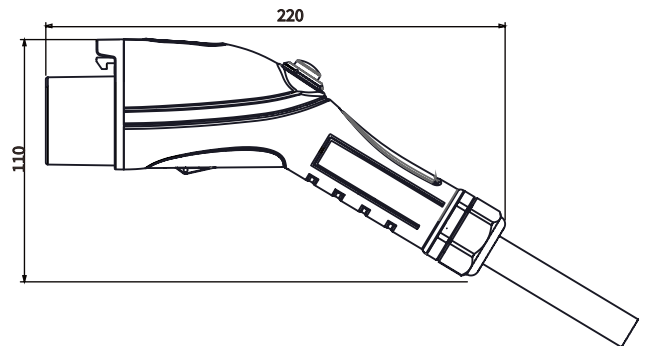
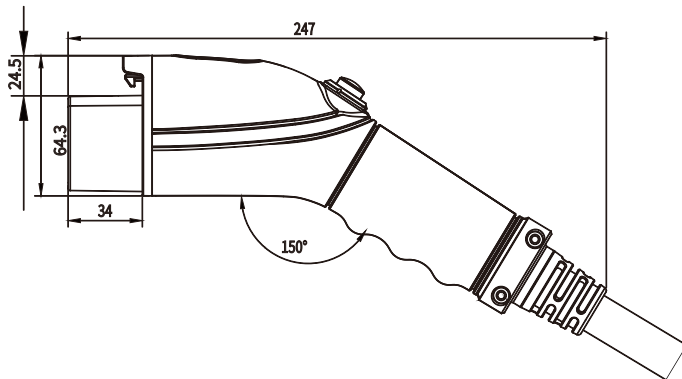
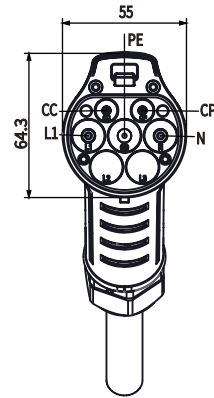
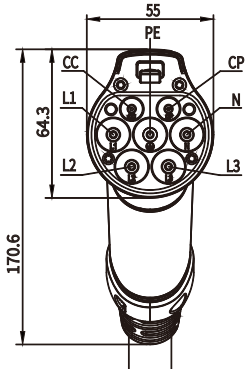
国标交流充电枪

GB/T 20234.2

国标交流充电枪W-II

AC Charging Connector complying with GB/T 20234.2-2015

国标交流充电枪W-III



额定电压 Rated Voltage	250V AC
额定电流 Rated Current	10A/16A/32A
绝缘电阻 Insulation Resistance	≥500MΩ
耐电压 Withstand Voltage	2500V AC
机械寿命 Mechanical Lifetime	≥10000 cycles (no-load)
插拔力 Insertion and separation forces	F<100N
防护等级 Protection Degree	枪体IP67, 枪头插合IP55
环境温度 Operating Temperature	-30°C~+50°C
湿度 Operating Moisture	5%~95% (40°C)
阻燃等级 Flame Retardant Grade	UL94V-0